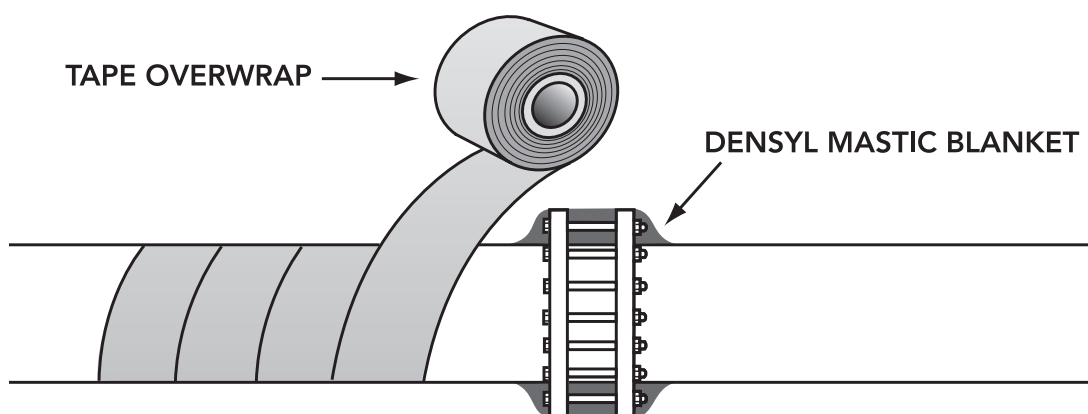


## INSTRUCTIONS FOR USE

- Use:** For moulding around irregular profiles such as flanges, valves and couplings prior to wrapping with anti-corrosion tapes.
- Surface Preparation:** Surfaces must be clean, dry and dust free. Remove all loose rust, scale and flaking coatings by scraping, wire brushing or blast cleaning.
- Priming:** Prior to application of Blankets apply appropriate primer for the overwrapping tape (e.g. DENSO PASTE™ for DENSO TAPE™ or DENSO PRIMER D™ for DENSOPOL™ or DENSOCCLAD™ cold applied laminate tapes).

### Method for application of Densyl™ Mastic Blankets to pipe couplings



- Application:** Prepare the surface and apply primer suitable for the anti-corrosion tape. Select the appropriate size of Blankets for the fitting. Remove the interleaving and position the Blankets so the mastic face is in contact with the metal to be protected. Blankets are to be well pushed home to follow the contours of the fittings. Press the Blankets into cavities, into angles and around bolt heads to form a profile suitable for wrapping without forming bridges or voids. All overlaps of Blankets should be 50mm minimum.
- Overwrapping:** DENSYL MASTIC BLANKETS must be wrapped with anti-corrosion tape to complete protection e.g. Denso or Densoclad Tapes.

# DENSYL™ MASTIC BLANKETS

## INSTRUCTIONS FOR USE

### Safety Data

- Storage:** Store correct way up in original packaging. Store away from direct heat and open flames.
- Transport:** No special precautions necessary.
- Handling:** Grease resistant gloves are advised to reduce skin contact.  
Avoid contact with face, arms, etc.  
Wash thoroughly after use and before work breaks to remove compound from the skin.  
Careful attention should be given to personal hygiene.  
Change and clean soiled clothing.
- Action in case of:**
- Fire:** Extinguish with dry powder, carbon dioxide or chemical foam.  
Air breathing equipment may be necessary in large fires.
- Skin contact:** Wash with warm water and mild soap.
- Eye contact:** Irrigate eyes thoroughly with clean water.
- Inhalation:** Not applicable.
- Swallowing:** Obtain medical advice if necessary.
- Spillage:** Not applicable.
- Disposal:** Please minimise or avoid waste wherever possible. Please do not discard waste material, including packaging, in the surrounding environment. Follow all relevant legislation for disposal.

### IMPORTANT:

Winn & Coales (Denso) Ltd pursue a policy to develop and continually improve all of our products and therefore information given in this data sheet is intended as a general guide and does not constitute a warranty, specification or risk assessment. These guidelines may not cover all circumstances; however, our sales personnel are committed to assisting the user in establishing the suitability of the product for its intended purpose and additional specific information, including Safety Data Sheets, is available on request. We recommend that installation is carried out with due regard to Health and Safety and in accordance with relevant local statutes and regulations. Any conflict between these guidelines and the specific project specifications must be resolved by the user before work commences. All rights reserved



### WINN & COALES (DENSO) LTD

Denso House, Chapel Road, London, United Kingdom  
TEL: +44 (0) 208 670 7511 • EMAIL: mail@denso.net

WEB: www.denso.net

A MEMBER OF WINN & COALES INTERNATIONAL



PUB No. 328.04.2000